

# padlock

The WEL 3-D adjustable flag hinge has been designed to give maximum adjustment of door sash to frame by easy means of adjustment with a 5mm A/F allen key

Full adjustment can be carried out in 3 directions without taking the door sash from the frame.

Two sizes of door packer are included with each hinge to cover sash cover leg thickness from 14mm to 20mm.

Hinge suitable for square and bevelled profile.

The WEL 3-D hinge is suitable for inward and outward opening doors (security feature for outward opening doors standard).

The WEL 3D hinge has been fully tested to pr EN 1935:1999 Grade 12, UCAS accredited test report No 628 PCT.

The WEL 3D hinge is classed in category of use Grade 4, designated Severe.

## Technical Data.

## 3D HINGE (94MM)

### WEIGHT CARRYING CAPACITY

Tested to pr EN 1935:1999 hinge grade 12.  
100 Kg per single hinge.  
130,000 Cycles.

### FINISHES AVAILABLE

White or Brown Powder Coat with Black Mouldings.

Mirror Polished Gold (clear clad) with Black Mouldings.

### NEUTRAL SALT SPRAY

White/Brown Powder Coat.  
Mirror Polished Gold.  
240 hours. (SEVERE).

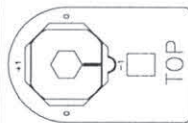
### SECURITY PERFORMANCE

PASS 24 COMPLIANT.  
Tested to pr EN 1935:1999 hinge Grade 12, shear force 6.0 KN.

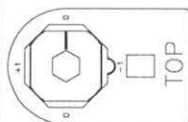
### METHOD OF FIXING

CSR 4.8 reinforcement screws are recommended into reinforcement to obtain maximum hinge performance.

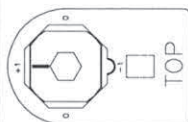
Compression Pin Setting



-1mm Compression

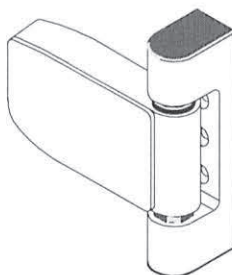


Nominal Position

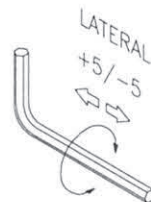


+1mm Compression

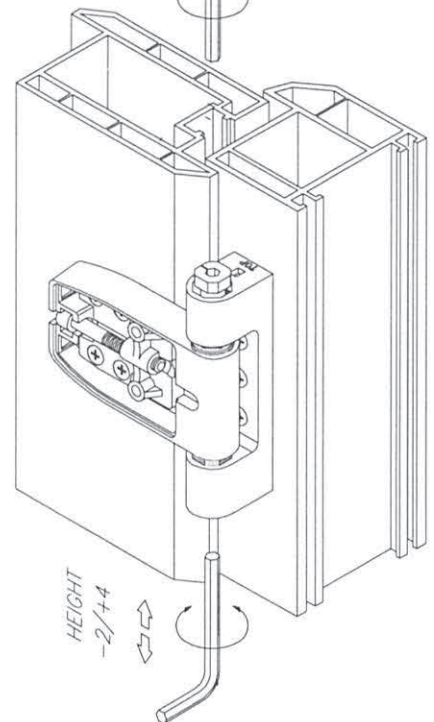
Frame Packer Sizes  
2mm & 4mm



Adjustment  
Nominal Pin  
Position Shown.



COMPRESSION  
+1/-1



SASH COVER  
LEG  
THICKNESS

